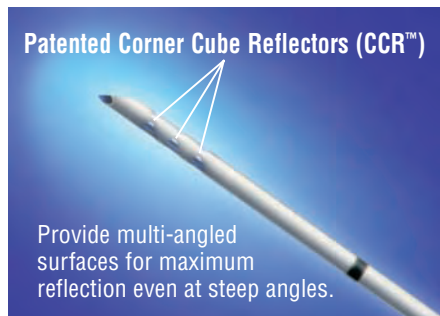


SONOLECT Echogenic Insulated Needles

For Ultrasound Guided Regional Anesthesia

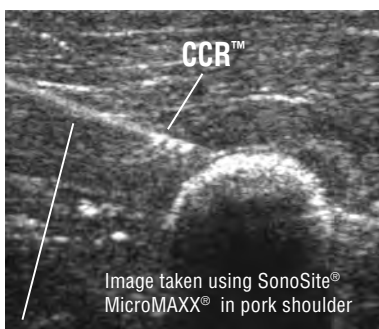


Benefits of Ultrasound Guidance

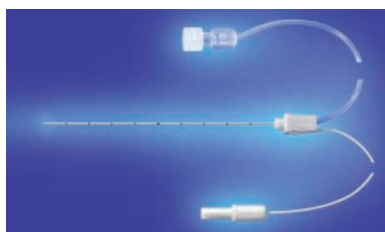
- See the target & structures to avoid - for better accuracy and reduced needle sticks
- Increased success rate with real-time monitoring of anesthesia flow
- Faster, more accurate needle placement saves time in OR

Short 25° block bevel helps avoid nerve damage

1cm calibrations around entire needle



1. See the needle
2. Confirm the nerve with stimulator
3. Watch the anesthetic encircle the nerve under ultrasound



Includes injecting tube and standard plug that fits most stimulators

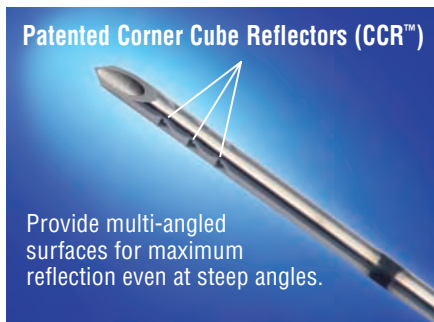
For use with or without Ultrasound Guidance

Needles work with most stimulators - Stock Echostim™ for all nerve block procedures

SONOLECT Echogenic

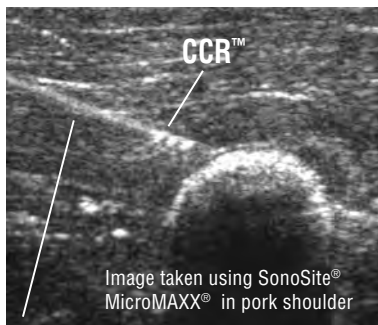
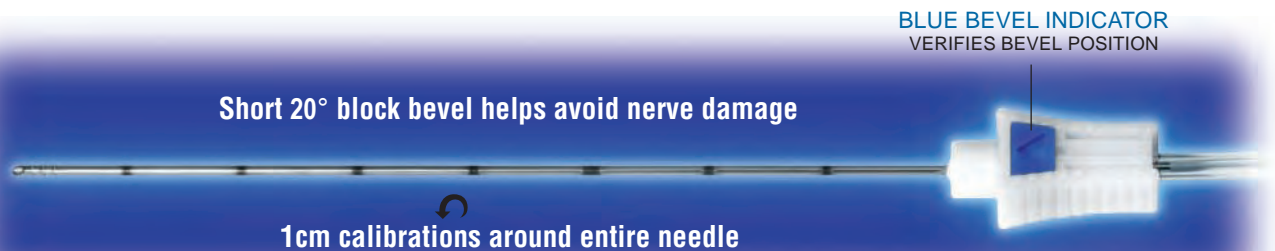
Non-Insulated Needles

For Ultrasound Guided Regional Anesthesia

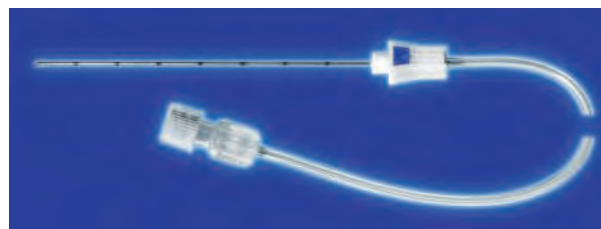


Benefits of Ultrasound Guidance

- See the target & structures to avoid - for better accuracy and reduced needle sticks
- Increased success rate with real-time monitoring of anesthesia flow
- Faster, more accurate needle placement saves time in OR



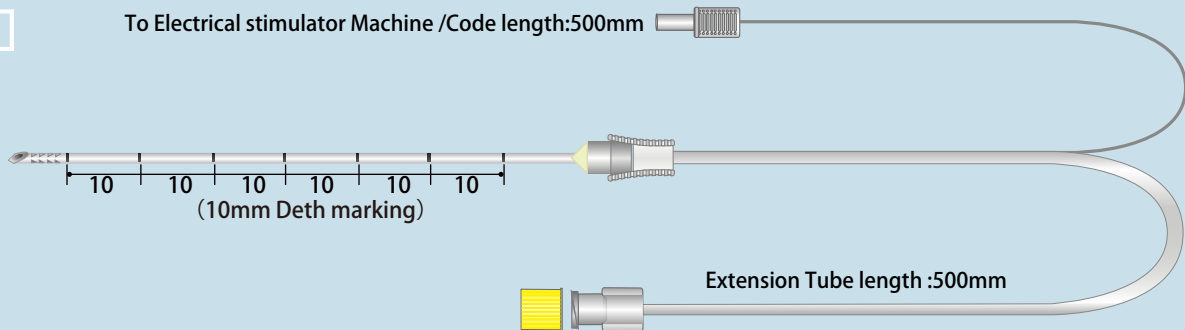
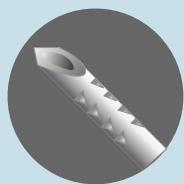
1. See the needle
2. See the nerve
3. Watch the anesthetic encircle the nerve under ultrasound



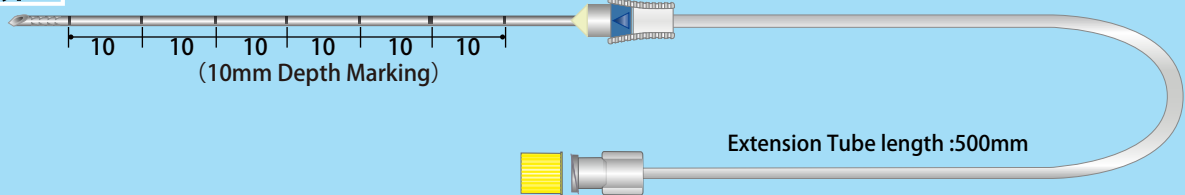
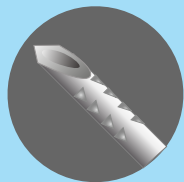
For Use with Ultrasound Guidance for those no longer using nerve stimulators.

Insulated Type

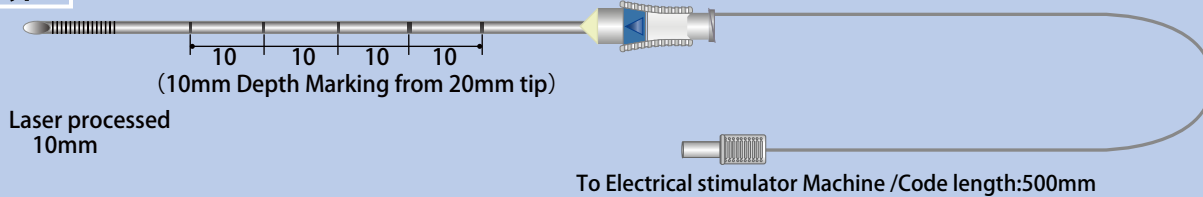
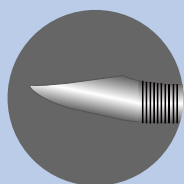
To Electrical stimulator Machine /Code length:500mm



Non-Insulated Type



Echo Tuohy Type



Specifications

「*」 Oder-made

Code	Size	Angle	Insulated	Echogenic	Depth Mark	Socket Code	Extensin Tube
ES-2140	21G × 40mm	25°	○	☆	○	○	○
ES-2150	21G × 50mm						
ES-2180	21G × 80mm						
ES-21110	21G × 100mm						
ES-21120	21G × 120mm						
ES-21150	21G × 150mm						
EB-2150	21G × 50mm	20°	—	☆	○	—	○
EB-2180	21G × 80mm						
EB-21100	21G × 100mm						
EB-21150 *	21G × 150mm						
Ask *	18G × 100mm	Echo Tuohy	○	☆	○	○	○
Ask *	17G × 100mm						

Package

Individual peel package, and 10 units per box, Eto sterilized.

羅針Plex

RasinPlex HRP-20 Nerve Stimulator for Insulated needle

