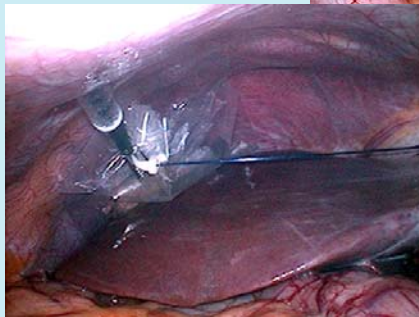
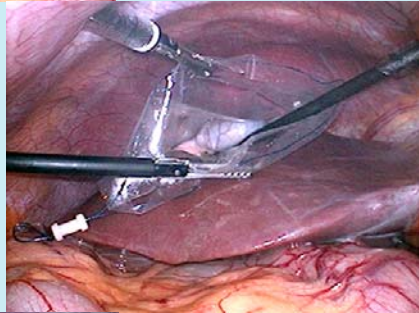
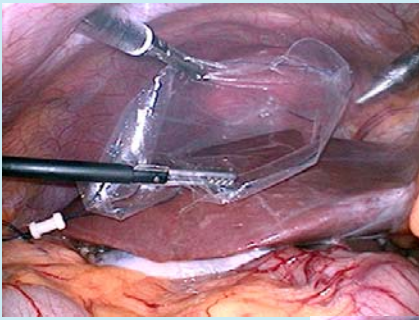


Disposable Laparoscopic abdominal cavity Retrieval Bag

Class 1

E·Z PURSE

E·Z PURSE



Intended for Use
Cavity Retrieval bag
for laparoscopic surgery

Unique features

- Simple and Easy operation
The insertin is very easy.
- Easy to pull out the Organ bag thanks to it's terraced structue.
- Easy and simple to use

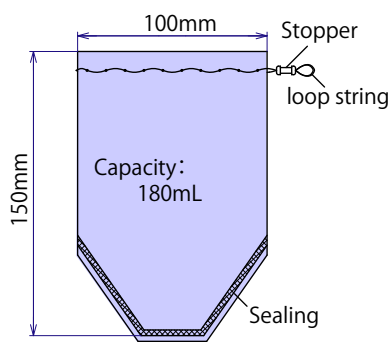
<How to Use>

1. bag rim together with Cable using non-traumatic laparoscopic grasper
2. Insert the bag through the desired 10mm, 11mm or 12mm trocar cannula.
3. Once the bag is inserted to the abdominal cavity, release the bag and remove the laparoscopic grasper.
4. Pull out the handle until the mouth of the bag can be visualized through the incision site.

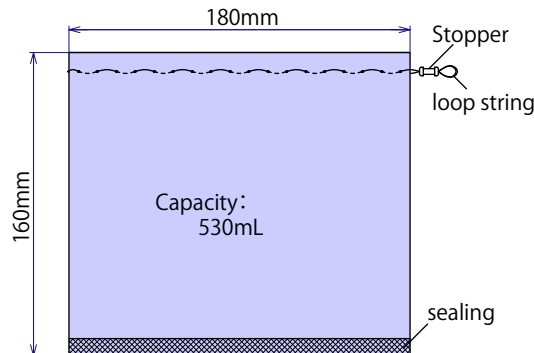


Photo by :Dr.Tokumura who is Chief Surgeon of TOHOKU ROSAI HOSPITAL

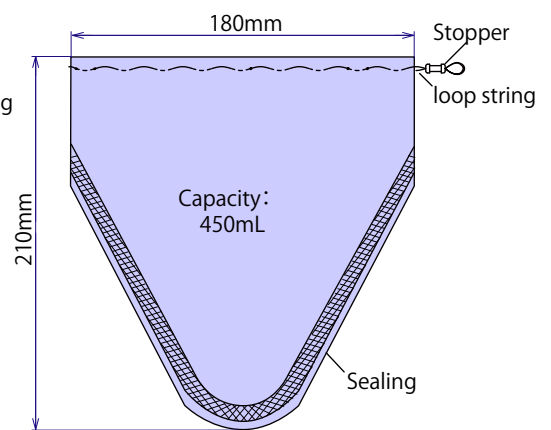
●Regular



●Large



●Long



SPECIFICATIONS

PRODUCT Name	Order Code	Type	Size	Capacity
E·Z PURSE	29110870	Regular	100mmX150mm	appx.180mL (Max)
	29110880	Large	180mmX160mm	appx.530mL (Max)
	29110890	Long	180mmX210mm	appx.450mL (Max)

Packing

10EA per BOX, peel package EA, EOG sterilized.